

OATMEAL DISPENSERS

Project	Date	Models	GB3 LPO	Item#	Quantity
---------	------	--------	---------	-------	----------



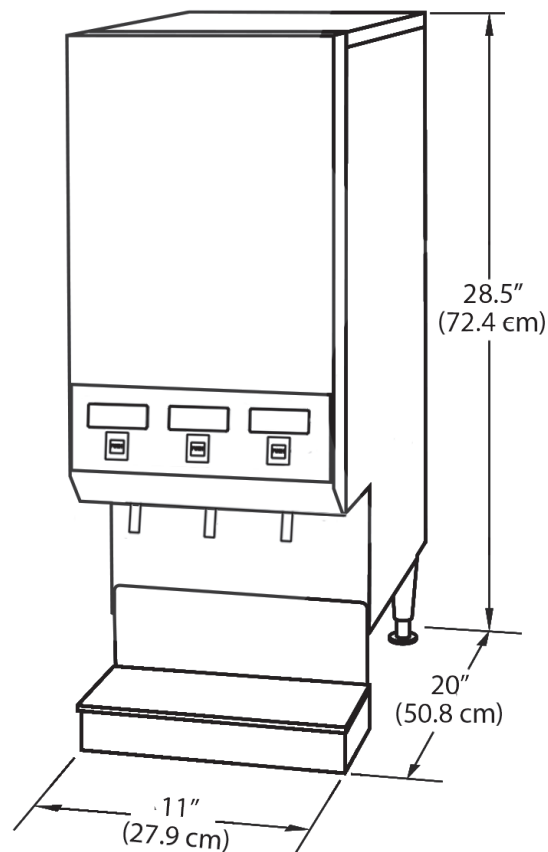
model GB3 LPO

Features

- Compact, space-saving size allows you to satisfy the growing demand for oatmeal in just 11 inches (27.9 cm) of counter space.
- Easy to fill, dispense, and clean.
- Three 4 lbs. (1.8 kg) hoppers and tank capacity of 2.75 gallons (10.4 L).
- Direct drive auger system ensures perfect hopper alignment and silent running.
- Quick change transparency - simply lift up two tabs and pull out the graphic.
- Adjustable drip tray height to accommodate various cup sizes.
- Easy to adjust temperature settings.

Models & Dimensions

Oatmeal Dispensers



model GB3 LPO

Specifications

Model	Description	Tank Capacity	Electrical	Product Dimensions (H x W X D)	Ship Weight
GB3 LPO (63688)	(3) 4 lbs. (1.8 kg) hoppers.	2.75 gallons (10.4 L)	120V / 1.8 kW / 15A / 1Ph	28.5" x 11" x 20" (72.4 cm x 27.9 cm x 50.8 cm)	75 lbs. (34 kg)

Electrical: Line cord included, NEMA plug 5-15P.

